

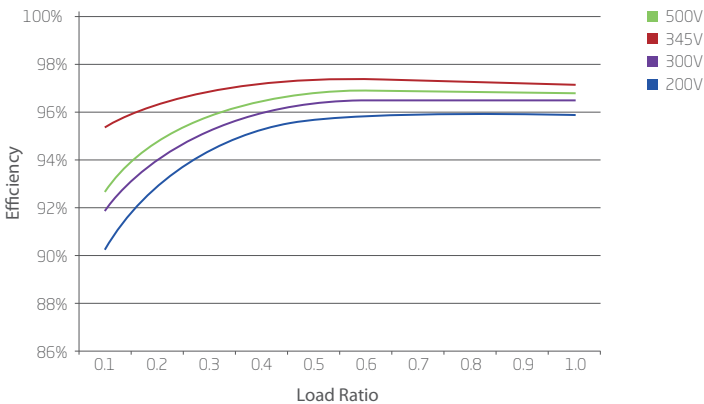
SINGLE PHASE INVERTER TL Series



Features:

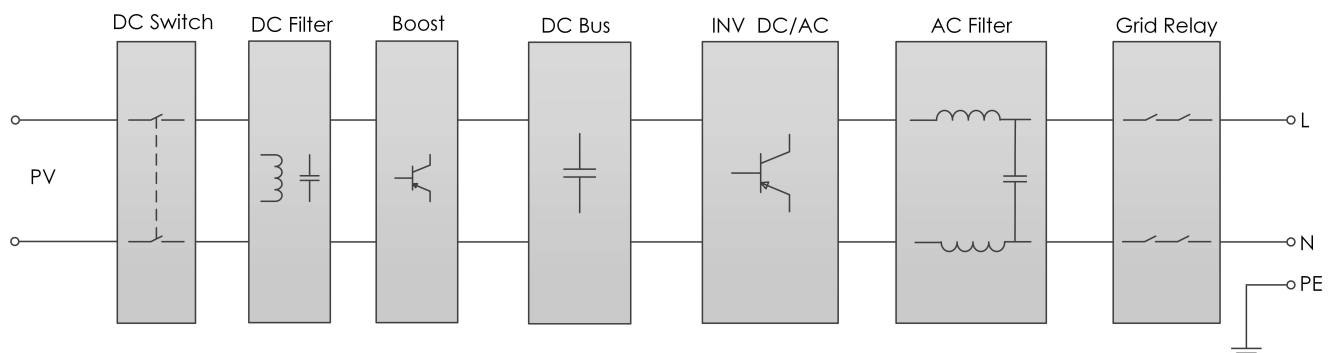
- ◆ Zero export to grid
- ◆ Reactive Power Control (RPC)
- ◆ U-disk for software updating
- ◆ Light weight in small size
- ◆ Without LCD, no risk of dust or water
- ◆ Seperate APP setting/monitoring
- ◆ Wi-Fi/GPRS
- ◆ Lantrun Pad local monitoring

Efficiency Chart



www.lantrun.com

Electrical Diagram



SPECIFICATION

Specifications	Model	Aegis 1500TL	Aegis 2000TL	Aegis 3000TL
Input Data (DC)				
Max. DC power		1800 W	2300 W	3400 W
Max. DC voltage		450 V		600 V
Start voltage		80 V		
DC nominal voltage		360 V		
PV voltage range		70-450 V		70-600 V
MPP voltage range		80-450 V		80-580 V
Max. input current per string of tracker A		11 A		
Number of independent MPP inputs		1		
Output Data (AC)				
Nominal AC output power		1500 W	2000 W	3000 W
Max. AC apparent power		1500 VA	2000 VA	3000 VA
Max. output current		7.5 A	9.5 A	14.3 A
AC nominal voltage; range		220V/230V/240V; 180Vac-280Vac		
AC grid frequency; range		50,60Hz;±5 Hz		
Power factor at rate power		1		
Power factor		0.9leading...0.9lagging		
THDi		<3%		
AC connection		Single phase		
Efficiency				
Max. efficiency		97%		
Euro - eta		96.5%		
MPPT efficiency		99.5%		
Protection Devices				
DC reverse polarity protection		Yes		
DC switch rating for each MPPT		Yes		
Output over current protection		Yes		
Output overvoltage protection-varistor		Yes		
Ground fault monitoring		Yes		
Grid monitoring		Yes		
Integrated all - pole sensitive leakage current monitoring unit		Yes		
General Data				
Dimensions (W / H / D)		259*328*138mm		
Weight		5.2 kg		7.3 kg
Operating temperature range		-25...+60°C (-13...+ 140°F) with derating above 45°C (113°F)		
Noise emission (typical)		≤ 25 dB(A)		
Altitude		Up to 2000m (6560ft) without power derating		
Relative humidity		95%		
Consumption: operating (standby) / night		<5W / < 0.5 W		
Topology		Transformerless		
Cooling concept		Natural		
Environmental protection rating		IP65		
Features				
DC connection		H4/MC4		
AC connection		Screw terminal		
Display		LED		
Interfaces: Wi-Fi/USB/GPRS/RS485		Yes/Yes/Opt/Opt		
Warranty: 5 years / 10 years / 15 years		Yes/Opt/Op		
Certificates and approvals		CE,IEC 62109, VDE 0126-1-1, VDE-AR-N4105,RD1663,G59,G83, AS4777, AS/NZS 3100, CGC		